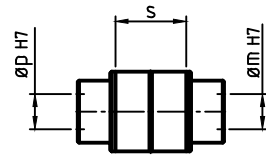
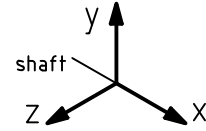


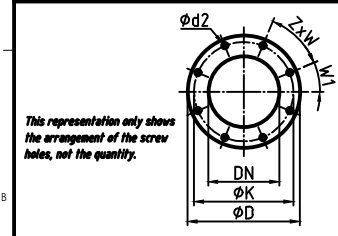
COUPLING		
coupling measures	spacer length "s"	hole diameter
pump side	5	38
motor side		55



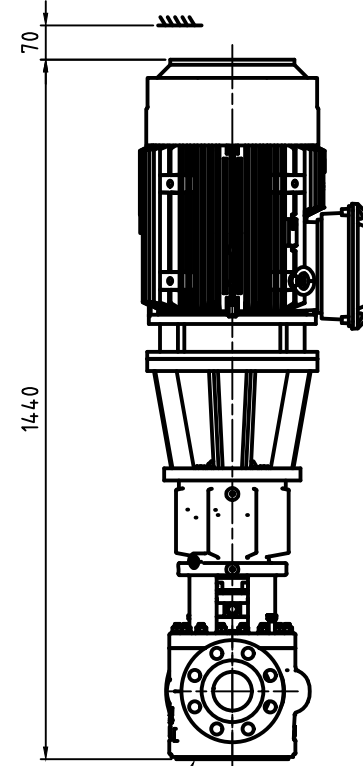
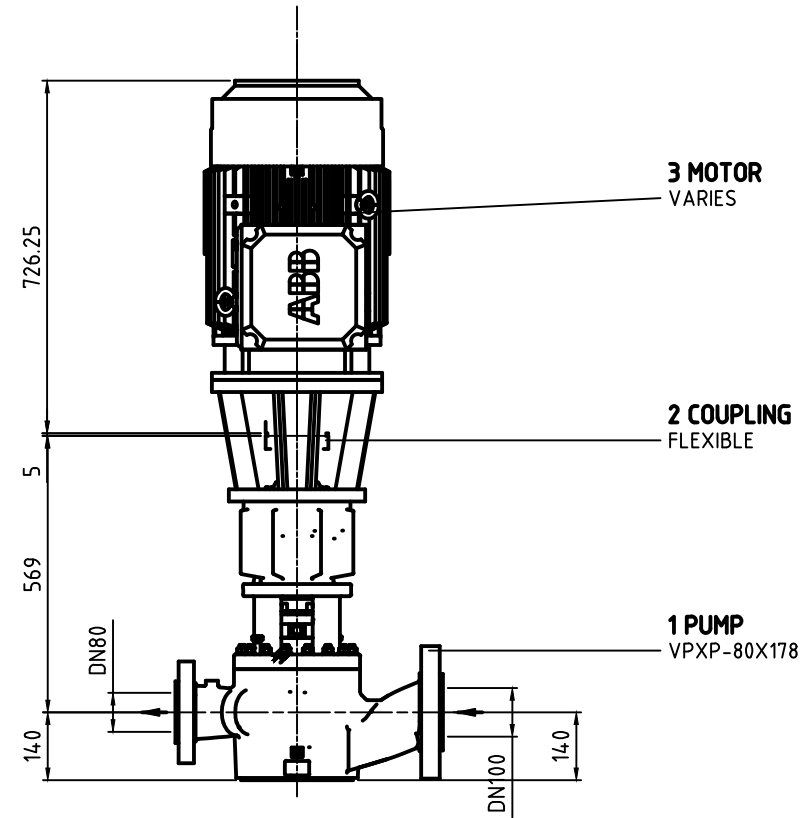
WEIGHTS	
PUMP	170 kg
MOTOR	240 kg
BASEPLATE	- kg
COUPLING	7 kg
ACCESSORIES	kg
TOTAL	417 kg



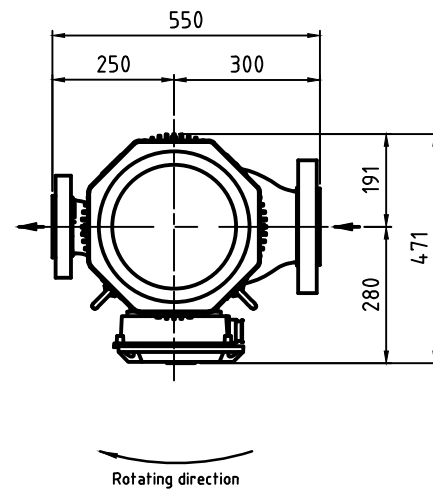
maximum branch loads / branch torques	suction branch	discharge branch
Fx (N)	± 3350	± 2500
Fy (N)	± 2700	± 2050
Fz (N)	± 300	± 2250
Mx (Nm)	± 1750	± 1600
My (Nm)	± 1450	± 1300
Mz (Nm)	± 1250	± 1050



flange measures according to ANSI B 16.5 RF - Class 600	suction side	pressure side
nominal width	DN 100/4"	80/3"
flange diameter	D 213/10.75"	210/8.25"
hole circle diameter	K 216/8.5"	168/6.62"
hole diameter	d2 Ø25.4/1"	Ø22.4/0.88"
quantity	Z 8	8
angle	W 45°	45°
	W1 22.5°	22.5°



M12-1.75 X 18 DEEP, 4 PLACES ON 200mm B.C.



- SHEET NOTES:**
1. NOT TO SCALE
 2. TOLERANCES PER ISO8015
 3. GENERAL TOLERANCES PER ISO 2768-CL
 4. DRAWING TOLERANCES PER DIN ISO 5456-2

PROPRIETARY
 THE INFORMATION CONTAINED IN THIS DRAWING IS THE SOLE PROPERTY OF ENERGY RECOVERY INC. ANY REPRODUCTION IN PART OR AS A WHOLE WITHOUT THE WRITTEN PERMISSION OF ENERGY RECOVERY INC IS PROHIBITED.
 DIMENSIONING AND TOLERANCING PER ANSI Y14.5M (LATEST)
 © ENERGY RECOVERY INC

B	-	ADDED MOUNTING HOLE DETAILS	HT	06/03/20
A	-	PRELIMINARY RELEASE	JL	11/20/17
REV.	ECN NO.	DESCRIPTION	BY	DATE
REVISIONS				
UNLESS OTHERWISE SPECIFIED:		1717 Doolittle Drive San Leandro CA 94577 energyrecovery.com P 510.483.7370 F 510.483.7371		
DIMENSIONS ARE IN INCHES		PRELIMINARY DRAWING STATUS DRAWN: JL 11/20/17 CHECKED: - ENG APPR: -		
TOLERANCES: FRACTIONAL: ± 1/32" ANGULAR: MACH: 5° BEND ± 1° TWO PLACE DECIMAL: ± 0.01" THREE PLACE DECIMAL: ± 0.005" FOUR PLACE DECIMAL: ± 0.0002"		TITLE: VPXP 80x178, GENERAL OUTLINE		
PROPRIETARY THE INFORMATION CONTAINED IN THIS DRAWING IS THE SOLE PROPERTY OF ENERGY RECOVERY INC. ANY REPRODUCTION IN PART OR AS A WHOLE WITHOUT THE WRITTEN PERMISSION OF ENERGY RECOVERY INC IS PROHIBITED. DIMENSIONING AND TOLERANCING PER ANSI Y14.5M (LATEST) © ENERGY RECOVERY INC		SIZE DWG. NO.: D VPXP80X178GA WEIGHT: SCALE: 1:1 SHEET 1 OF 1		

