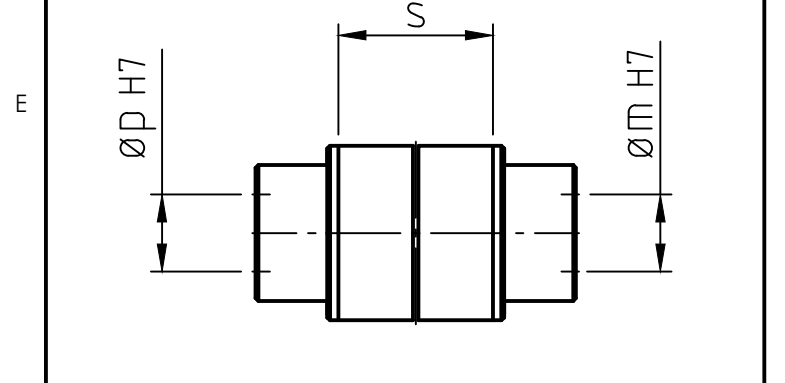
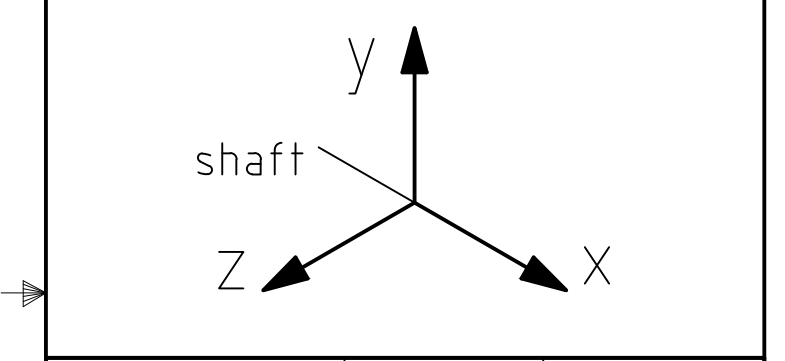


- SHEET NOTES:
1. NOT TO SCALE
  2. TOLERANCES PER ISO8015
  3. GENERAL TOLERANCES PER ISO 2768-CL
  4. DRAWING TOLERANCES PER DIN ISO 5456-2

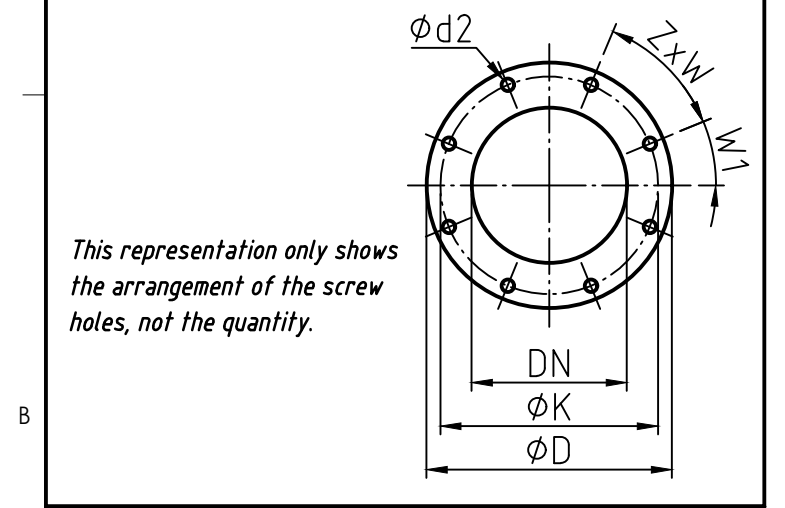
COUPLING		
coupling measures	spacer length "s"	hole diameter
pump side	5	38
motor side		65



WEIGHTS	
PUMP	725 kg
MOTOR	725 kg
BASEPLATE	- kg
COUPLING	12 kg
ACCESSORIES	38 kg
TOTAL	1500 kg



maximum branch loads / branch torques	suction branch	discharge branch
Fx [N]	± 6700	± 6700
Fy [N]	± 5400	± 5400
Fz [N]	± 6000	± 6000
Mx [Nm]	± 3250	± 3250
My [Nm]	± 2650	± 2650
Mz [Nm]	± 2300	± 2300



flange measures according to ANSI B 16.5 RF - Class 600	suction side	pressure side
nominal width	DN 200/8"	200/8"
flange diameter	D 419/16.5"	419/16.5"
hole circle diameter	K 349/13.75"	349/13.75"
hole diameter	d2 Ø32/1.25"	Ø32/1.25"
quantity	Z 12	12
angle	W 30°	30°
	W1 15°	15°


PROPRIETARY  
 THE INFORMATION CONTAINED IN THIS DRAWING IS THE SOLE PROPERTY OF ENERGY RECOVERY INC. ANY REPRODUCTION IN PART OR AS A WHOLE WITHOUT THE WRITTEN PERMISSION OF ENERGY RECOVERY INC. IS PROHIBITED.  
 DIMENSIONING AND TOLERANCING PER ANSI Y14.5M (LATEST)  
 © ENERGY RECOVERY INC

REV.	ECN NO.	DESCRIPTION	BY	DATE
A	-	PRELIMINARY RELEASE	JL	11/20/17

DRAWING STATUS		REVISIONS	
DRAWN	JL	11/20/17	
CHECKED	-	-	
ENG APPR.	-	-	

UNLESS OTHERWISE SPECIFIED: DIMENSIONS ARE IN INCHES TOLERANCES: FRACTIONAL: ± 1/32" BEND ± 1° ANGULAR: MACH: 5° TWO PLACE DECIMAL: ± 0.01" THREE PLACE DECIMAL: ± 0.005" FOUR PLACE DECIMAL: ± 0.0002"	<b>PRELIMINARY</b> 1717 Doolittle Drive San Leandro CA 94577 <b>energyrecovery.com</b> P 510.483.7370 F 510.483.7371 
TITLE:	VPXP 200x220, GENERAL OUTLINE
SIZE	D
DWG. NO.	VPXP200X220GA
REV	A
WEIGHT:	SCALE: 1:1
	SHEET 1 OF 1