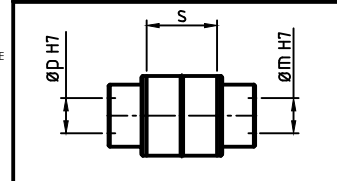
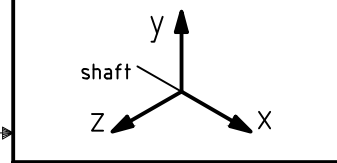


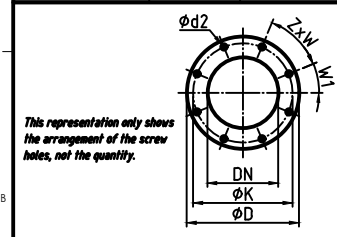
COUPLING		
coupling measures	spacer length "s"	hole diameter
pump side	5	38
motor side		55



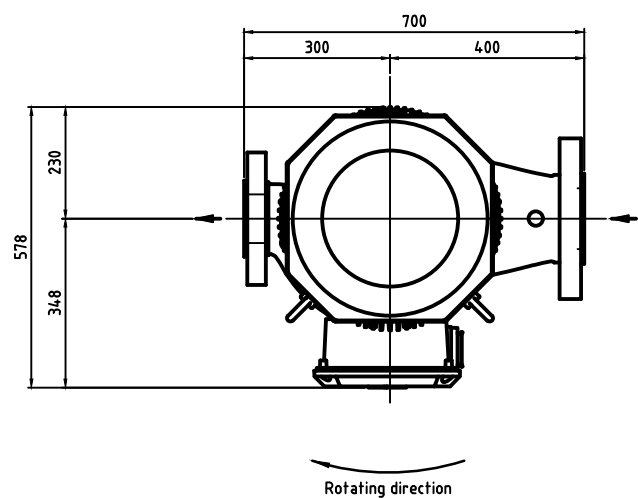
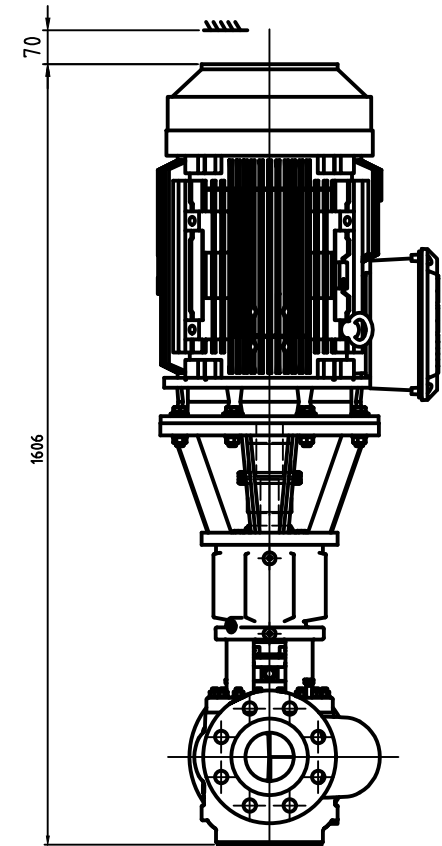
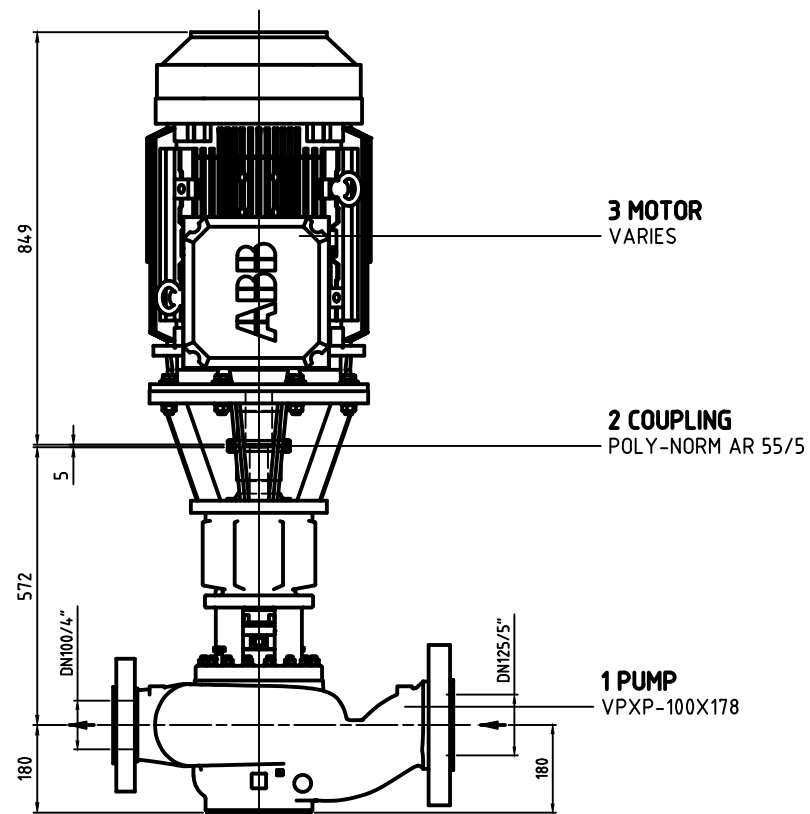
WEIGHTS	
PUMP	400 kg
MOTOR	350 kg
BASEPLATE	- kg
COUPLING	10 kg
ACCESSORIES	kg
TOTAL	760 kg



maximum branch loads / branch torques	suction branch	discharge branch
Fx [N]	± 3700	± 3000
Fy [N]	± 1450	± 3350
Fz [N]	± 3350	± 2700
Mx [Nm]	± 2050	± 1750
My [Nm]	± 1700	± 1450
Mz [Nm]	± 1450	± 1250



flange measures according to ANSI B 16.5 RF - Class 600	suction side	pressure side
nominal width	DN 125/5"	100/4"
flange diameter	D 330.2/13"	273.1/10.75"
hole circle diameter	K 266.7/10.5"	215.9/8.5"
hole diameter	d2 Ø28.4/1.12"	Ø25.4/1"
quantity	Z 8	8
angle	W 45°	45°
	W1 22.5°	22.5°



M12-1.75 X 15 DEEP, 4 PLACES ON 180mm B.C.

- SHEET NOTES:**
1. NOT TO SCALE
 2. TOLERANCES PER ISO8015
 3. GENERAL TOLERANCES PER ISO 2768-CL
 4. DRAWING TOLERANCES PER DIN ISO 5456-2

PROPRIETARY
 THE INFORMATION CONTAINED IN THIS DRAWING IS THE SOLE PROPERTY OF ENERGY RECOVERY INC. ANY REPRODUCTION IN PART OR AS A WHOLE WITHOUT THE WRITTEN PERMISSION OF ENERGY RECOVERY INC. IS PROHIBITED.
 © ENERGY RECOVERY INC

B	-	ADDED MOUNTING HOLE DETAILS	HT	06/03/20
A	-	PRELIMINARY RELEASE	JL	11/20/17
REV.	ECN NO.	DESCRIPTION	BY	DATE
REVISIONS				
UNLESS OTHERWISE SPECIFIED:		PRELIMINARY 1717 Doolittle Drive San Leandro CA 94577 energyrecovery.com P 510.483.7370 F 510.483.7371		
DIMENSIONS ARE IN INCHES		DRAWING STATUS		
TOLERANCES:		DRAWN JL 11/20/17		
FRACTIONAL: ± 1/32"		CHECKED - - -		
ANGULAR: MACH: 5° BEND ± 1°		ENG APPR - - -		
TWO PLACE DECIMAL: ± 0.01"		TITLE		
THREE PLACE DECIMAL: ± 0.005"		VPXP 100x178, GENERAL OUTLINE		
FOUR PLACE DECIMAL: ± 0.0002"		SIZE DWG. NO.		
DIMENSIONING AND TOLERANCING PER ANSI Y14.5M (LATEST)		D VPXP100X178GA		
THIRD ANGLE PROJECTION		WEIGHT: SCALE: 1:1 SHEET 1 OF 1		