

ITEM NO.	QTY	PART NUMBER	DESCRIPTION	MATERIAL
1	1	43649-01	HOUSING, 9" SERIES, 4" SIDE PORT	SHELL: FIBERGLASS PORTS: 2507 SUPER DUPLEX
2	2	43677-01	PLATE, BEARING, THREADED, 9IN	ALUMINUM 6061
3	2	43680-01	PLATE, SEAL, 9IN, PVC	PVC
4	6	43676-01	RING, LOCK, SEGMENT, 9IN	CF8M
5	4	43675-01	RING, SECURING, 9IN, FIBERGLASS	FIBERGLASS
6	4	10078-24	SCREW, SOCKET-HEAD, 5/16"-18, X 1.50", 316	316 SS
7	2	43137-01	PORT, STRAIGHT, LP, 4" SERIES, 2507	2507 SUPER DUPLEX
8	2	10307-01	O-RING, EPDM, 348	EPDM
9	1	43685-01	CARTRIDGE, PX-Q400	-
10	4	43030-01	DOWEL, PIN, 3/16" DIA, X 3/8", NSF, GRP	-
11	2	43725-01	SPACER, INTERCONNECT, FEEDWATER, PX Q400, NORYL	NORYL
12	2	43726-01	SPACER, INTERCONNECT, CONCENTRATE, PX Q400, NORYL	NORYL
13	4	43678-01/02	INTERCONNECT, 3" X 6.69"L	2507 SUPER DUPLEX**
14	2	10603-01	O-RING, EPDM, 446	EPDM
15	2	10639-01	O-RING, EPDM, 370	EPDM
16	8	10605-01	QUAD-RING, EPDM, 236	EPDM
17	4	10235-01	WASHER, FLAT, SEALING, 5/8" ID, EPDM	EPDM
18	8	10077-01	SCREW, SOCKET-HEAD, 5/16"-18, X .75", 316	316 SS
19	4	10234-01	SCREW, HEX-HEAD, 5/8"-11, X .5", NYLON	NYLON
20	4	10308-01*	CAP-PLUG, SHIPPING, MALE, 4"DIA, PLA	PLASTIC
21	1	10618-01*	BOX, SHIPPING, 9" SERIES, PX, SIDE-PORT	-
22	4	30235-01*	FOAM, PACKING, PX, Q400	-

* ITEM NOT SHOWN

** STANDARD MATERIAL SHOWN. MATERIALS WITH GREATER CORROSION RESISTANCE MAYBE SUBSTITUTED AT ERI'S DISCRETION

NOTES:
 1. INSTALL O-RINGS WITH GLYCERIN OR OTHER APPROVED WATER BASED LUBRICANT.
 2. REFER TO OPERATION AND MAINTENANCE MANUAL FOR ASSEMBLY & DISASSEMBLY INSTRUCTIONS AND REQUIREMENTS.

REV.	ECN NO.	DESCRIPTION	BY	DATE
05	10286	UPDATED LP PORT LENGTH DIM AND FW EC	APT	9/10/25
04	10232	UPDATED LABEL DESIGN TO ORIENTATION AGNOSTIC. REMOVED FEEDWATER/CONCENTRATE UP CONFIGURATION.	AKP	10/23/24
03	10197	SECURING RING MAT'L CHANGED TO FIBERGLASS. UPDATED CONCENTRATE ENDCOVER AND ROTOR-SLEEVE DESIGN	AKP	03/5/24
02	10158	CHANGED CARTRIDGE O-RING TO -370, SPACER MATERIAL TO NORYL	AKP	02/15/24
01	10110	REVISED SHIPPING PACKAGING	AKP	06/28/23
00	10078	INITIAL RELEASE	AKP	11/29/22

UNLESS OTHERWISE SPECIFIED:
 DIMENSIONS ARE IN INCHES
 TOLERANCES:
 FRACTIONAL: ± 1/32"
 ANGULAR: MACH ± .5° BEND ± 1°
 TWO PLACE DECIMAL: ± .01"
 THREE PLACE DECIMAL: ± .005"
 FOUR PLACE DECIMAL: ± .0002"

PROPRIETARY
 THE INFORMATION CONTAINED IN THIS DRAWING IS THE SOLE PROPERTY OF ENERGY RECOVERY INC. ANY REPRODUCTION IN PART OR AS A WHOLE WITHOUT THE WRITTEN PERMISSION OF ENERGY RECOVERY INC. IS PROHIBITED.

© 2012 ENERGY RECOVERY INC

1717 Doolittle Drive
 San Leandro CA 94577
 energyrecovery.com
 P 510.483.7370
 F 510.483.7371

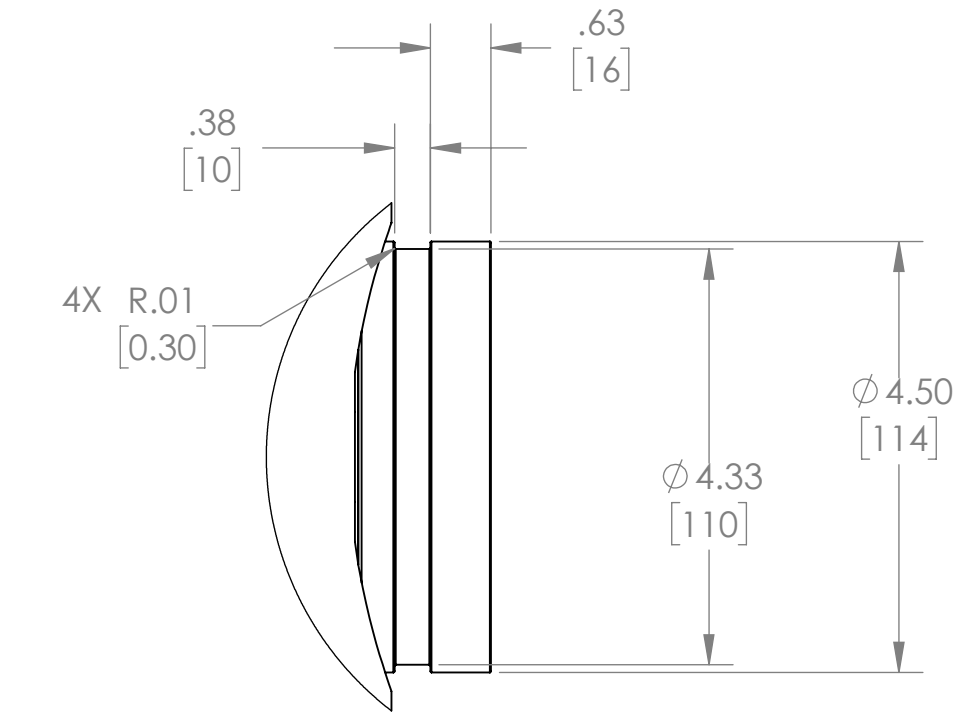
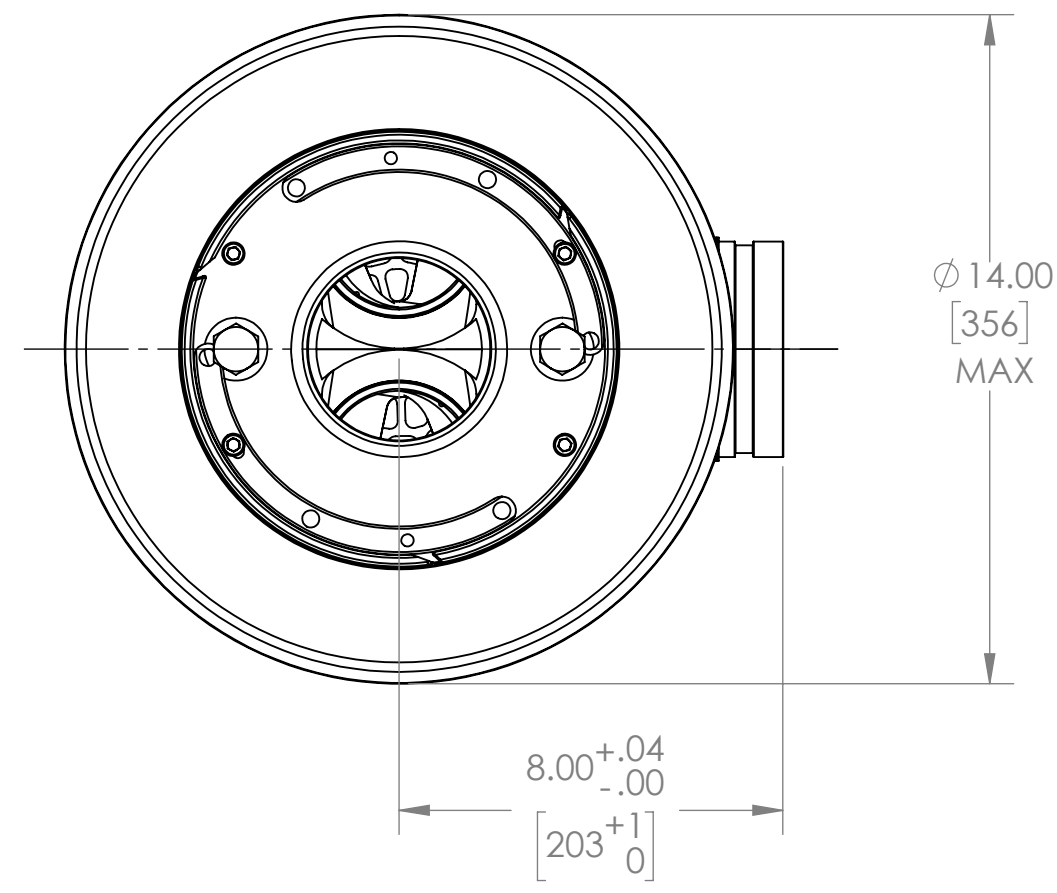
Production

DRAWING STATUS
 DRAWN: AKP 11/16/22
 CHECKED: KYK 11/16/22
 ENG APPR: JL 11/16/22

TITLE:
PX Q400, PRESSURE EXCHANGER

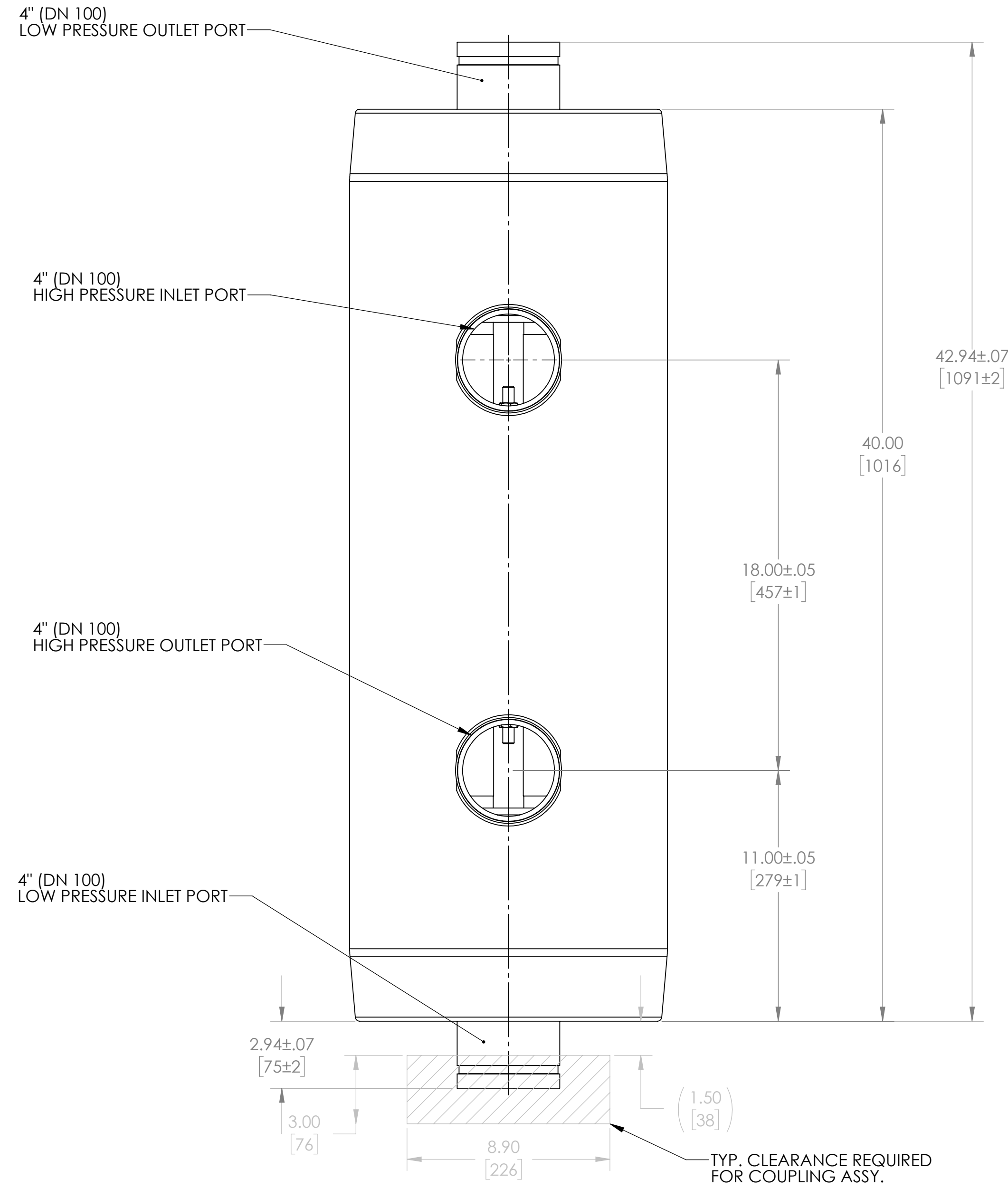
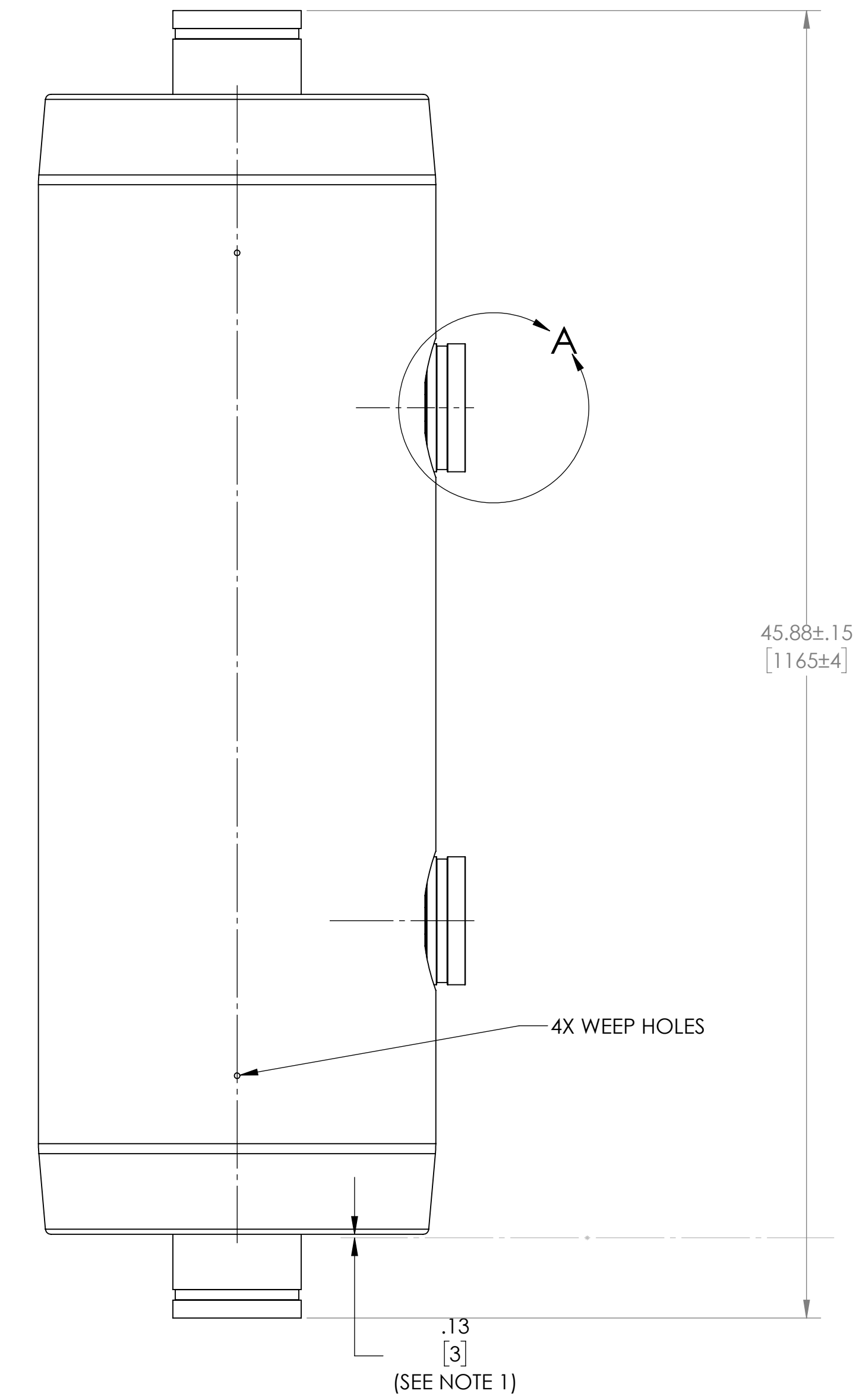
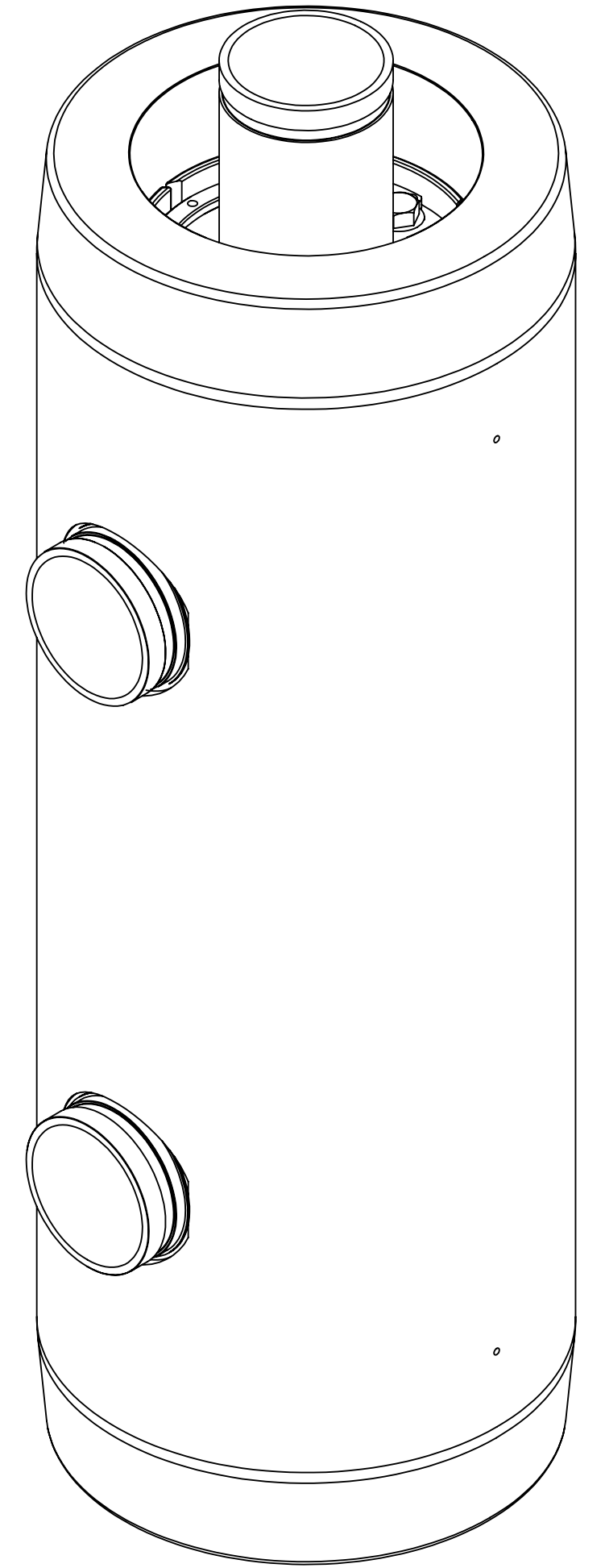
SIZE: **D** DWG. NO.: **40083-01** REV: **05**
 WEIGHT: SCALE: 1:5 SHEET 1 OF 3

THIRD ANGLE PROJECTION



DETAIL A
SCALE 1 : 2

QTY. 4 - LP AND HP PORT
SEE NOTE 3



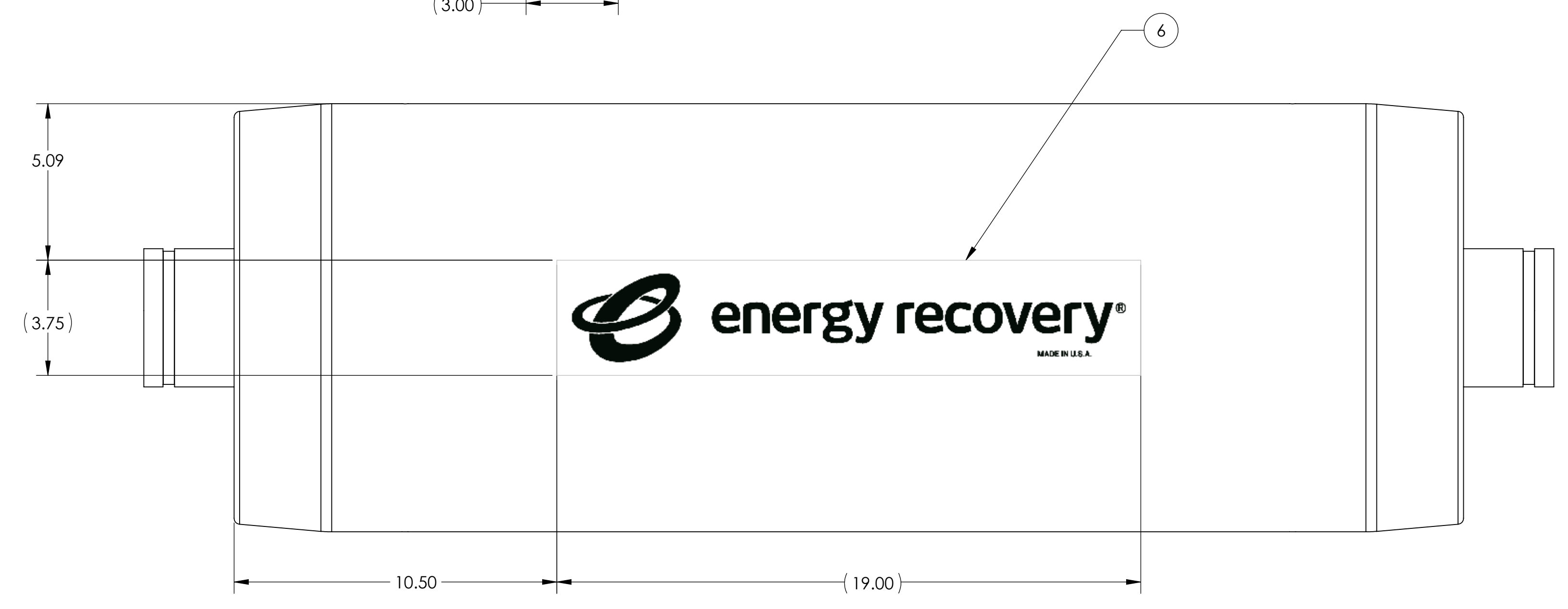
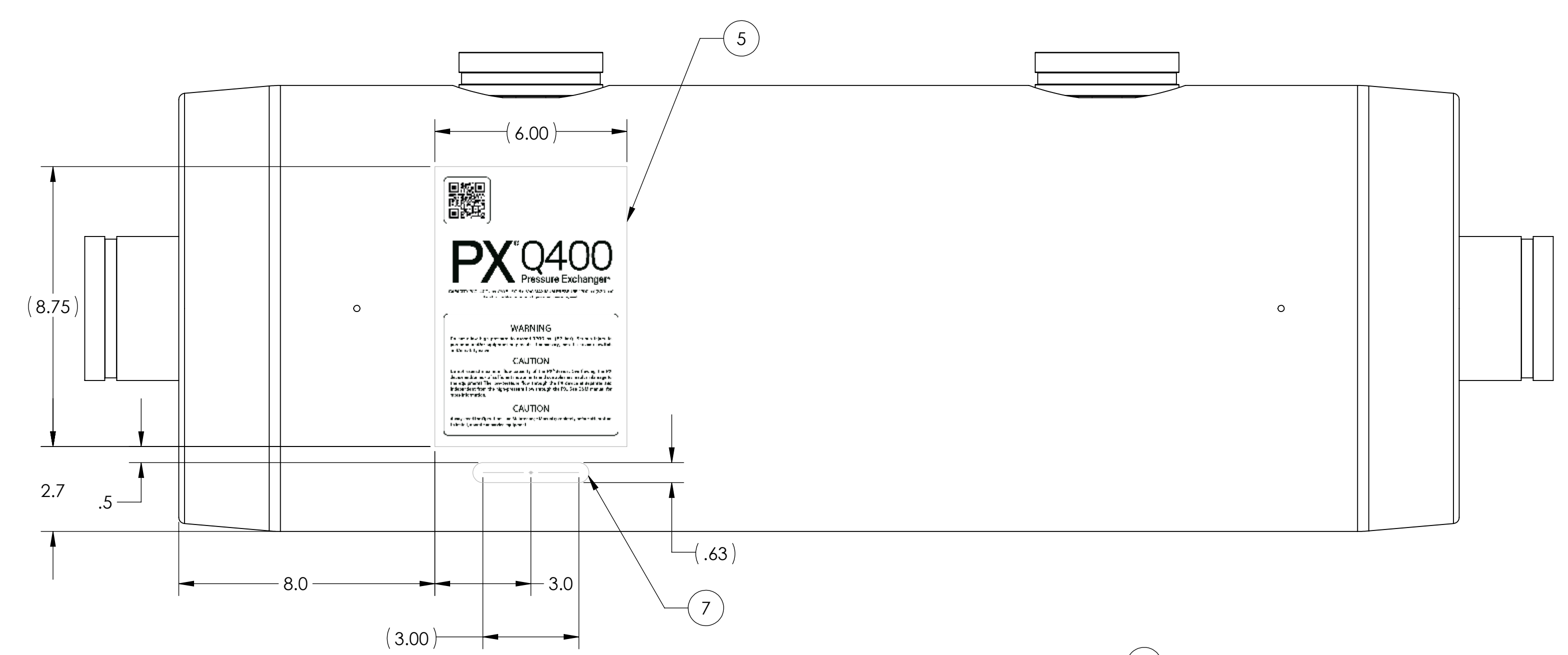
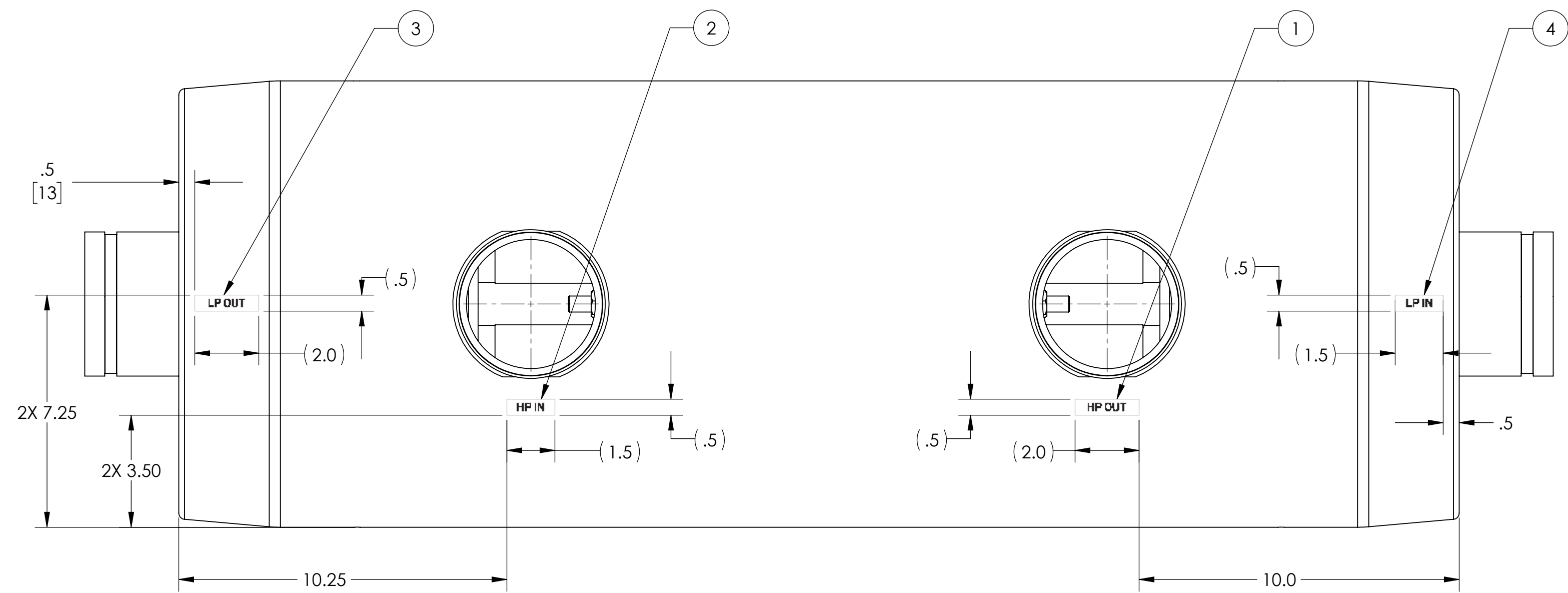
DO NOT USE INLET/OUTLET PORTS FOR LIFTING OR SUPPORT

- NOTES:
- SHIM BETWEEN HOUSING AND MTG SURFACE AS REQUIRED.
 - HOUSING MUST BE INDEPENDENTLY SUPPORTED, REFERENCE OPERATION AND MAINTENANCE MANUAL.
 - PORT SPECIFICATION:
 - CUT GROOVE SPECIFICATION
 - USE FLEXIBLE COUPLINGS.
 - FLEXIBLE COUPLING MUST BE RATED FOR HIGH PRESSURE SEAWATER SERVICE AND INSTALLED PER MANUFACTURER RECOMMENDATIONS.
 - DUAL DIMENSIONS IN BRACKETS ARE FOR REFERENCE ONLY.
 - ESTIMATED WEIGHT: 360LBS (164 KGS)

1717 Doolittle Drive
San Leandro CA 94577
energyrecovery.com
P 510.483.7370
F 510.483.7371




TITLE: PX Q400, PRESSURE EXCHANGER		
SIZE D	DWG. NO. 40083-01	REV 05
WEIGHT:	SCALE: 1:4	SHEET 2 OF 3



ITEM NO.	PART NUMBER	DESCRIPTION	QTY.
1	30000-01	LABEL, "HP OUT"	1
2	30000-02	LABEL, "HP IN"	1
3	30000-03	LABEL, "LP OUT"	1
4	30000-04	LABEL, "LP IN"	1
5	30219-01	LABEL, PX Q400	1
6	30249-01	LABEL, ERI, PX H SERIES, 8-9"	1
7	30024-01	LABEL, SERIAL NUMBER	1

1717 Doolittle Drive
 San Leandro CA 94577
 energyrecovery.com
 P 510.483.7370
 F 510.483.7371



TITLE: PX Q400, PRESSURE EXCHANGER

SIZE	DWG. NO.	REV
D	40083-01	05

WEIGHT: SCALE: 1:3 SHEET 3 OF 3